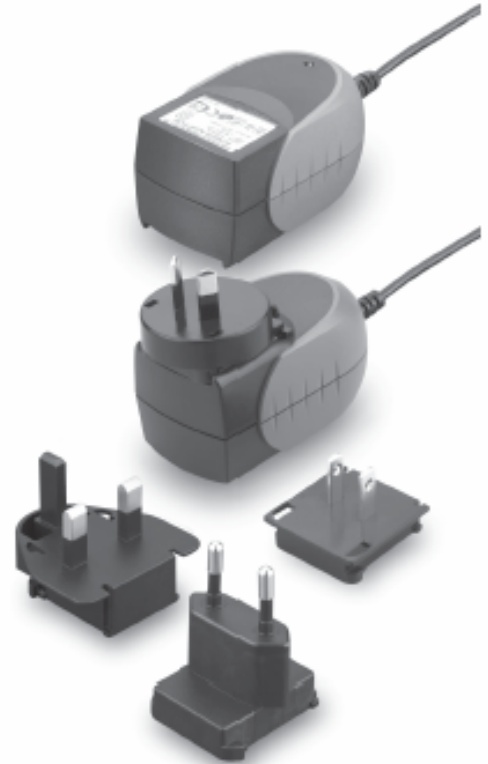




### Features

- \* Universal Input Range 90-264VAC
- \* Meets EN60601-1 and EN55011 Class "B"
- \* Continuous Short Circuit Protection
- \* Interchangeable AC Plugs
- \* Over Voltage Protection
- \* Energy Star 2.0, Level V  
(Output Cable Length  $\leq$  1800mm)  
(TR15RAM050: Output Cable Length  $\leq$  1500mm)



### Ordering information

TR15RAMXXX - XX	E XX	-	XX	-BK
Model No.	DC Plug Type	DC Cable Length and Type		Color of Overmold Case
* Contact us for more detailed description		01: 720mm		E: Blue
		02: 1200mm		Y: Gray
		03: 1800mm		RD: Red
		11: 7200mm with Ferrite Core		PE: Purple
		12: 1200mm with Ferrite Core		OR: Orange
		13: 1800mm with Ferrite Core		
		* 20AWG / UL2468		

MODEL	OUTPUT VOLTAGE	MAX. LOAD	MIN. LOAD	RIPPLE & NOISE	VOLTAGE ACCURACY	LINE REGULATION	LOAD REGULATION	SWITCHING FREQUENCY	% EFF.
TR15RAM050	5V	2.0A	0A	1%	$\pm$ 3%	$\pm$ 1%	$\pm$ 4%	95KHz Typ.	73% Typ.
TR15RAM120	12V	1.1A	0A	1%	$\pm$ 2%	$\pm$ 1%	$\pm$ 2%	95KHz Typ.	83% Typ.
TR15RAM150	15V	1.0A	0A	1%	$\pm$ 2%	$\pm$ 1%	$\pm$ 2%	95KHz Typ.	82% Typ.
TR15RAM240	24V	625mA	0A	1%	$\pm$ 2%	$\pm$ 1%	$\pm$ 2%	95KHz Typ.	82% Typ.

# Specifications

## INPUT SPECIFICATIONS:

Voltage .....	90~264Vac
Frequency .....	47 to 63Hz
Input Current .....	0.4A max.
Inrush Current .....	50A max. @ 240Vac
Leakage Current .....	0.1mA max.

## OUTPUT SPECIFICATIONS:

Hold-up Time .....	10ms typ. @115Vac
Temperature Coefficient .....	±0.05%/°C
Short Circuit Protection .....	Continuous(Auto Recovery)
Over Voltage Protection .....	TVS Clamp
Over Current Protection .....	Auto Recovery

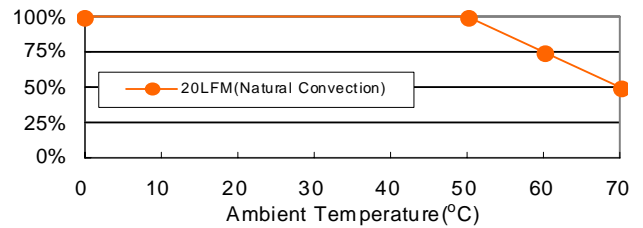
## GENERAL CHARACTERISTICS:

Operating Temperature .....	-20 - 50°C
Storage Temperature .....	-20 - 85°C
Cooling .....	Natural Convection
Isolation .....	Input to output = 5,656VDC
Humidity.....	93% RH max. Non condensing
Dimensions .....	3.173x1.885x1.704Inches (80.60x47.90x43.30mm)
Weight .....	130g(0.29 Pounds)

## SAFETY & EMISSION:

UL60601-1, IEC/EN60601-1, EN60601-1-2, EN55011 Class B

## TR15RAM Series Derating Curve



## NOTE:

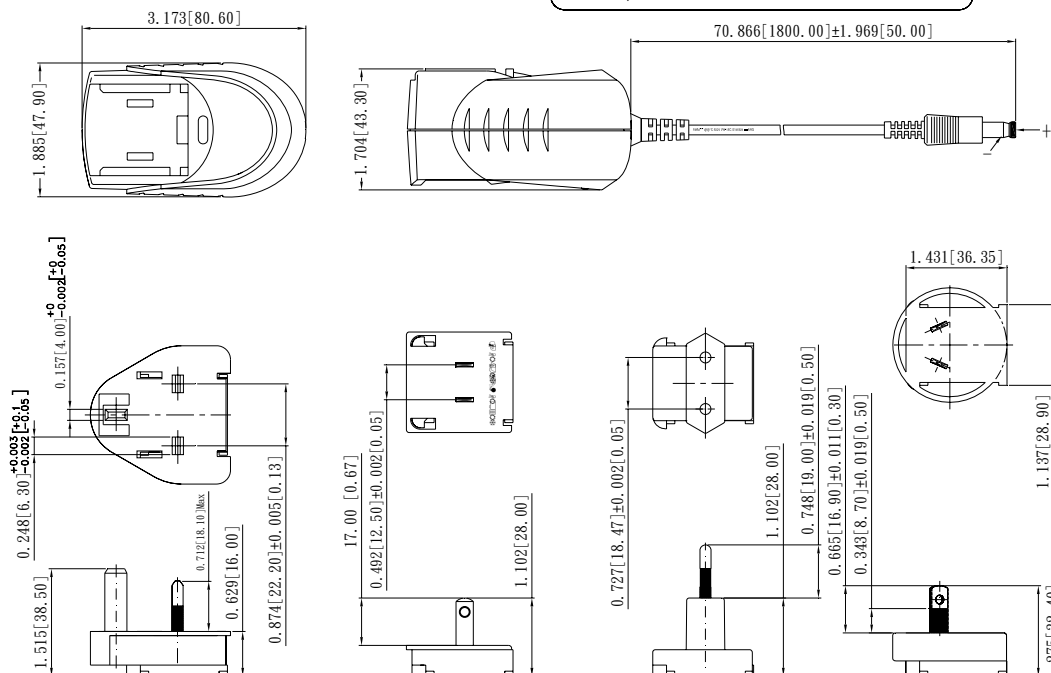
1. Voltage setpoint at 60% full load
2. Add a 0.1uF ceramic capacitor and a 10uF E.L. capacitor to output for Ripple & Noise measuring @20MHz BW.
3. Line regulation measured from 100Vac to 240Vac, full load.
4. Load regulation measured from 60% to full load and from 60% to 20% load (60% +/- 40% load)

## Mechanical Specification

All Dimensions are in inches(mm)

Tolerance: Inches: X.XXX±0.02

Millimeters: X.XX±0.5



Typical at 25°C, nominal line and 75% load, unless otherwise Specified